

FIG. 1

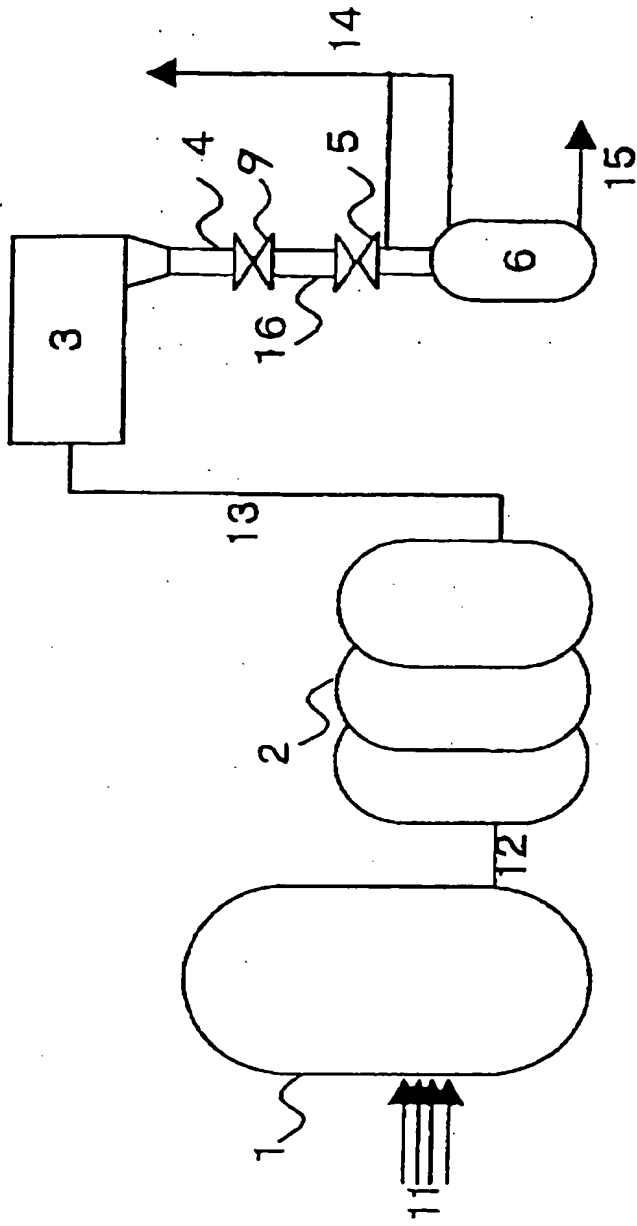


FIG. 2

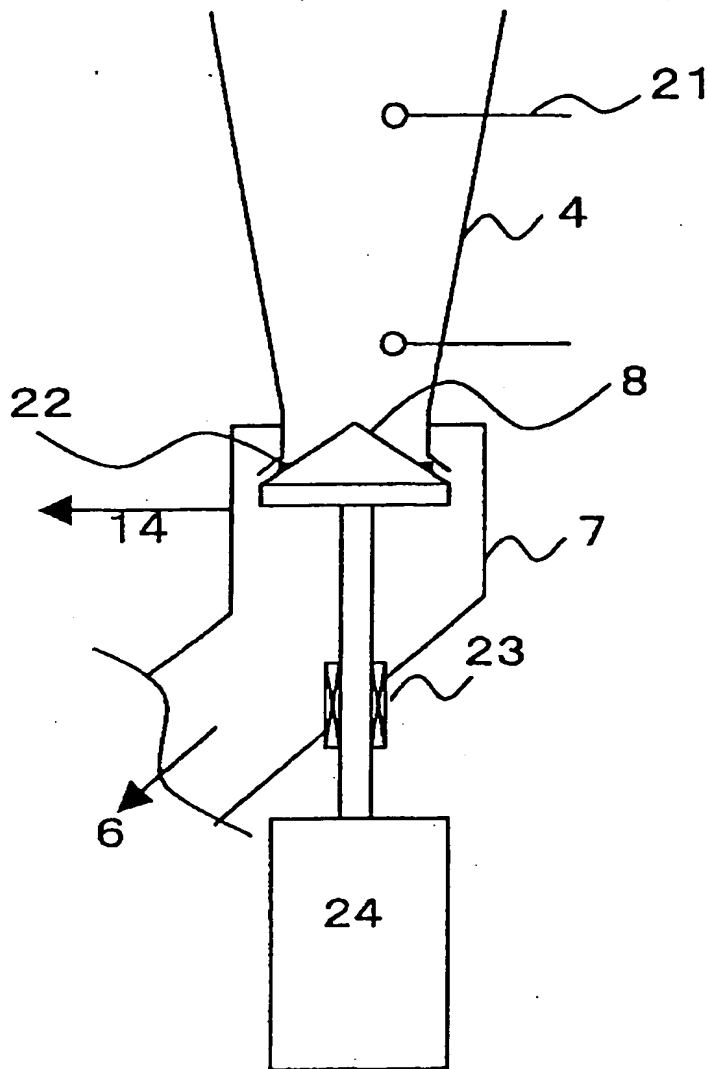


FIG. 3

FLASH SEPARATION DEVICE

